

1 ITEM A | 1 Off 9metre Internally Illuminated Totem Pole Sign - 1:50

Double sided internally illuminated siren roundall

Siren Logo :

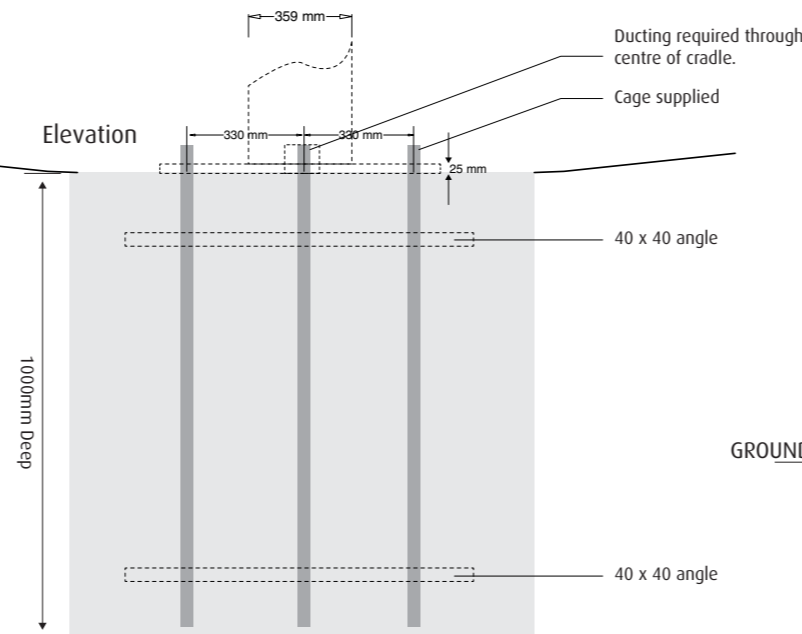
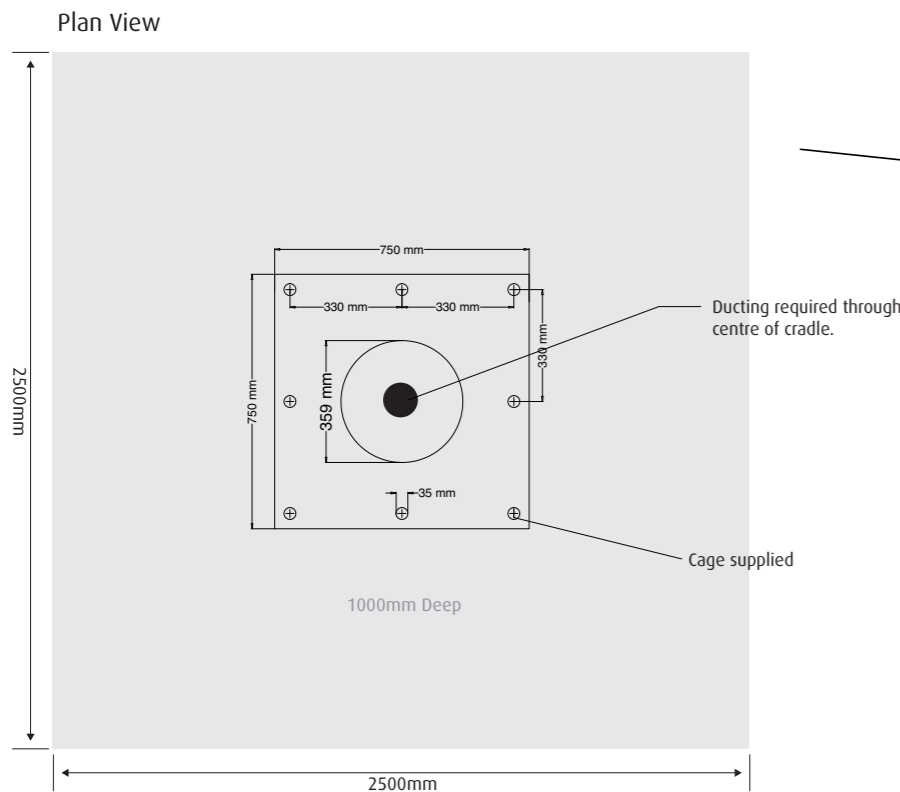
2x fret cut aperture face trays with 50mm trim to accept 5mm opal 050 acrylic roundall in rear with applied Starbucks Green Siren logo to face. Sign illuminated by LED's positioned on clear acrylic divider suspended from within. Painted Satin Black.

Drive To Sign :

2x fret cut face trays with aluminium carcass designed to fit around post. Painted white inside and satin black outside. Aluminium face trays backed up with 5mm 050 opal acrylic and internally illuminated by tridonic led's.



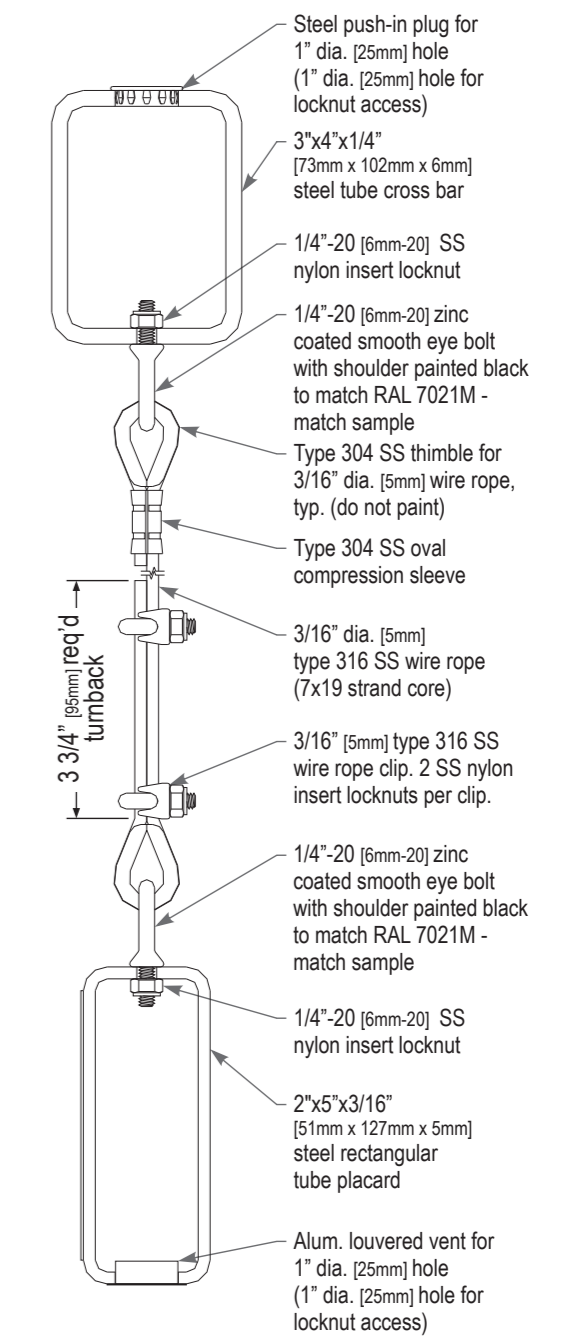
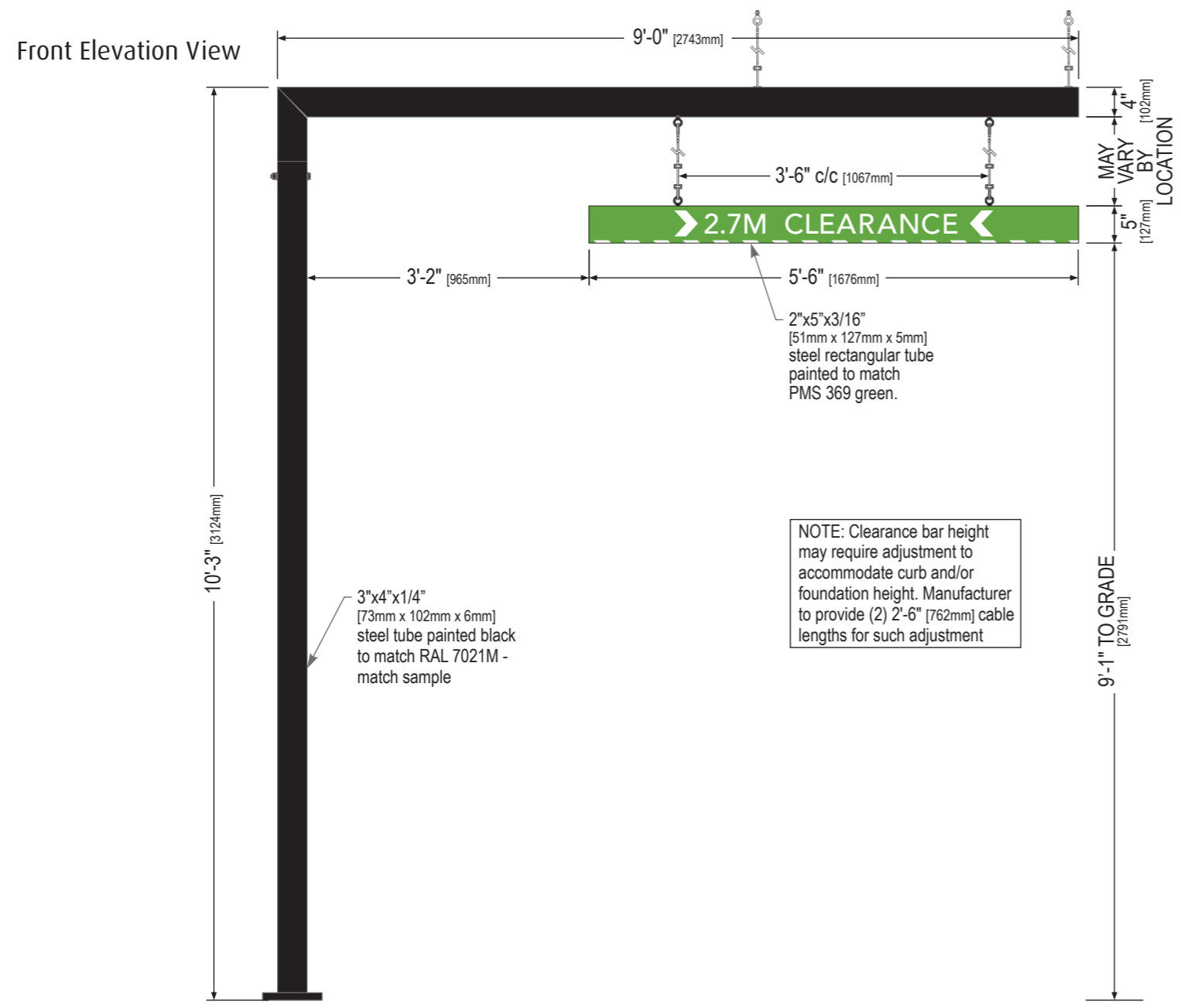
Base details



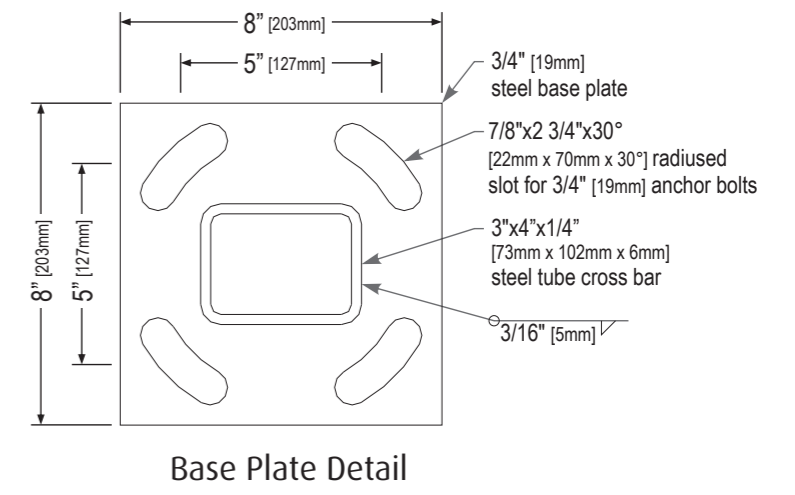
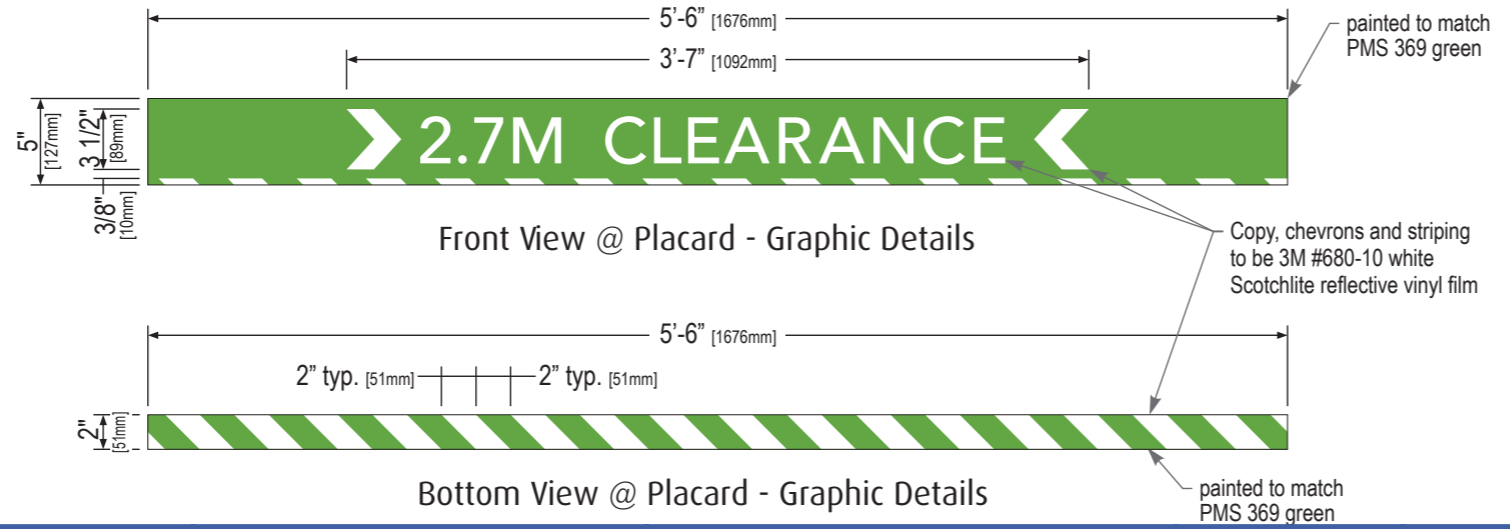
NOTE:
Allow 150mm studding above concrete level

2 ITEM B | 1 Off Directional Sign - 1:10
 1 Off 1500mm Double sided entrance directional sign internally illuminated via LED's.



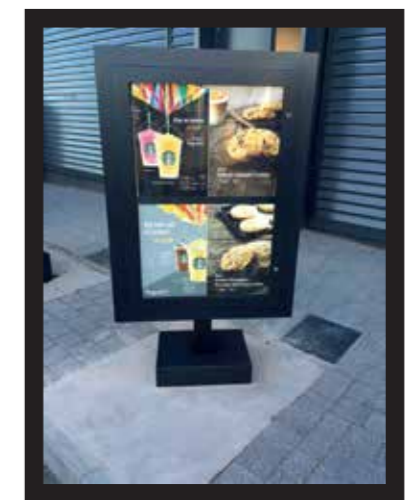
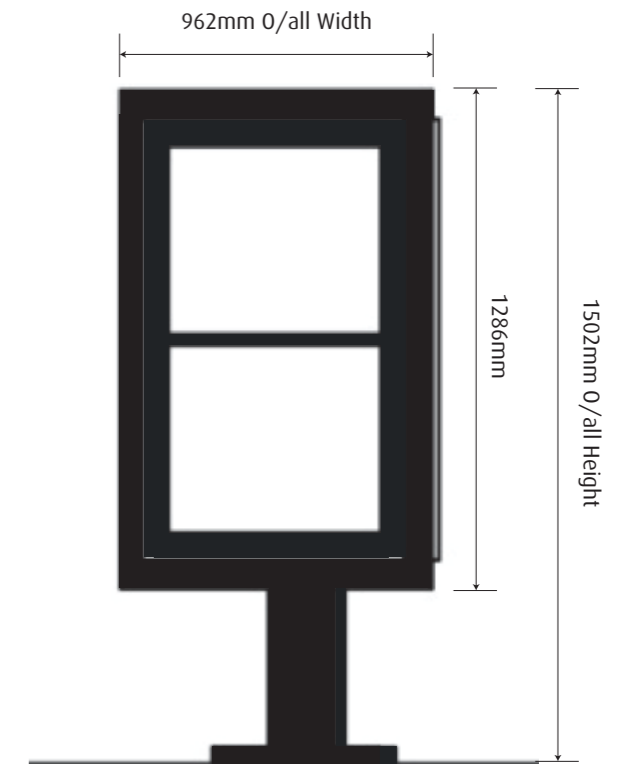
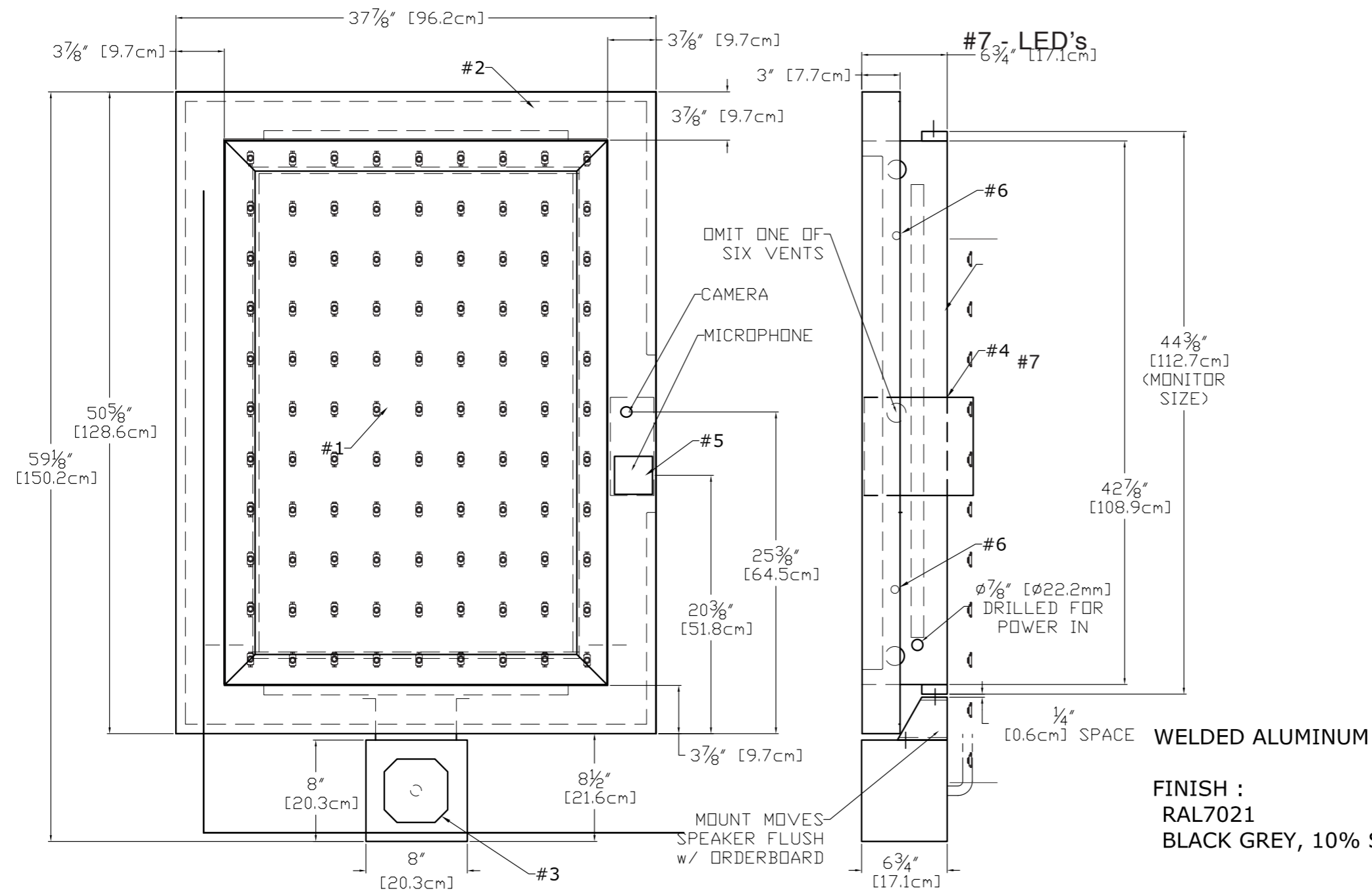
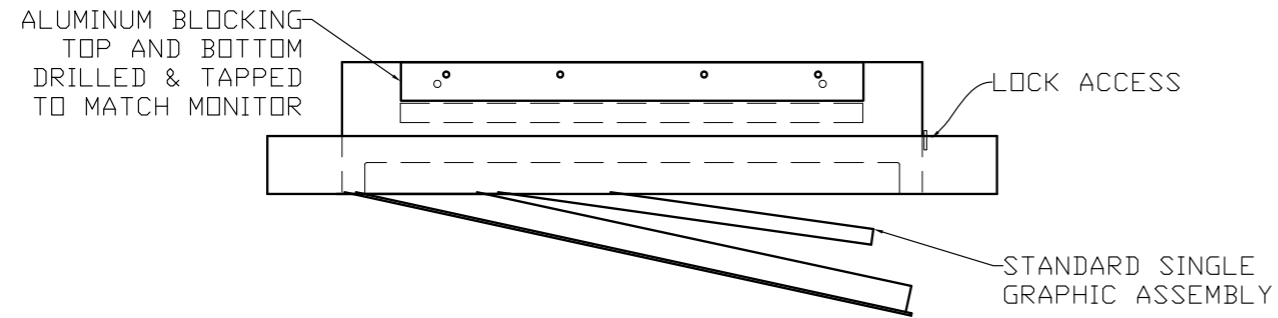


3 ITEM E | 1 Off Clearance Bar - 1:20
 Main structure from welded steel finished to match RAL 7021M with 'Scrap Bar' finished to match Pantone 369, Green



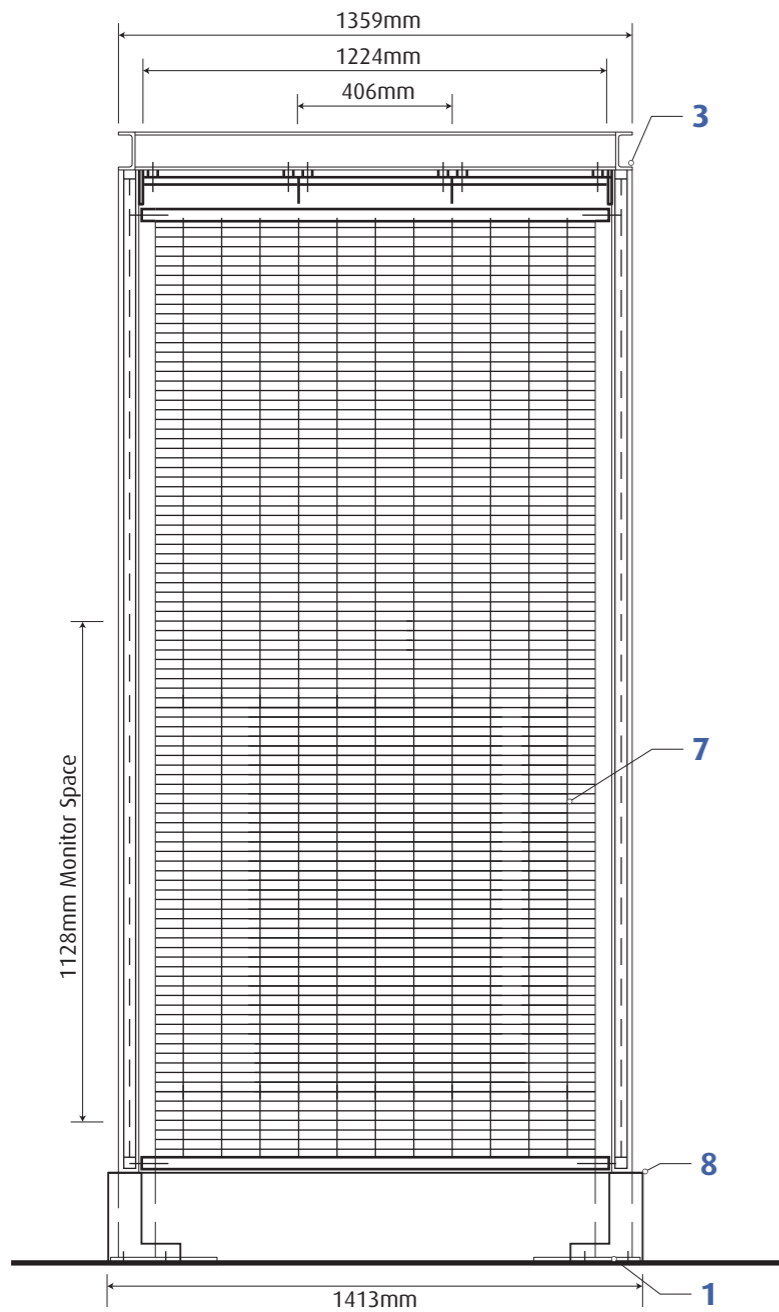
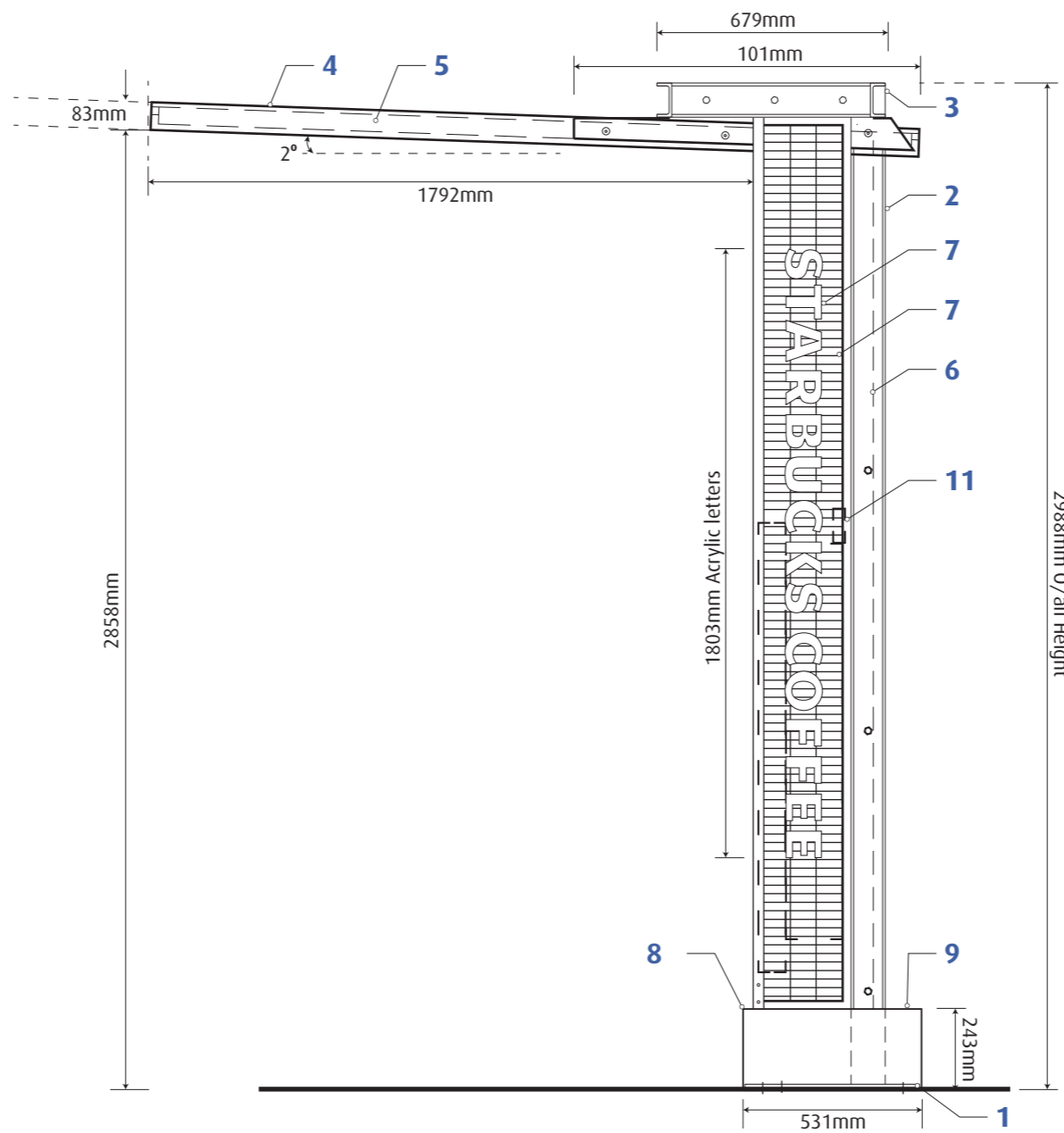
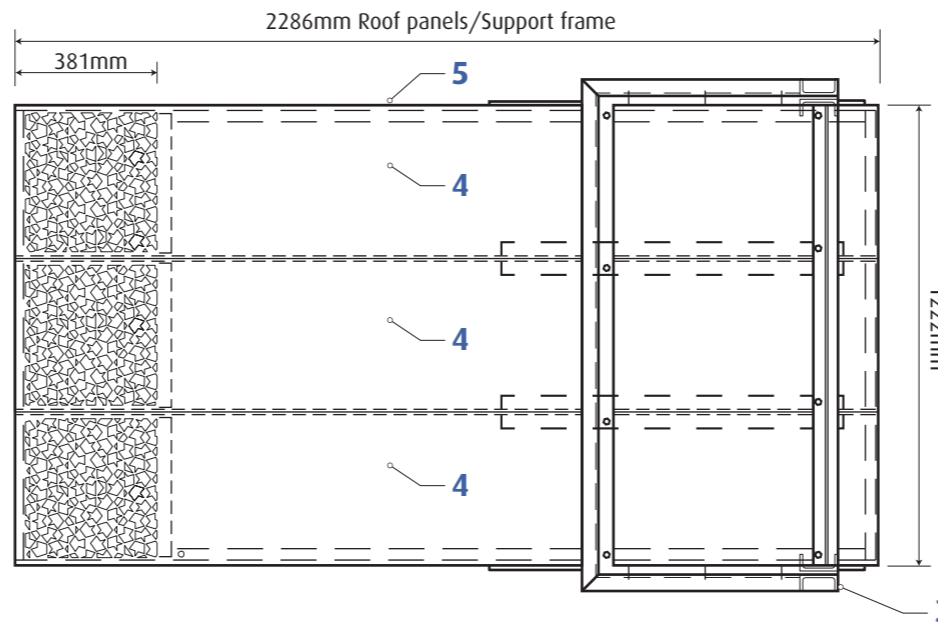
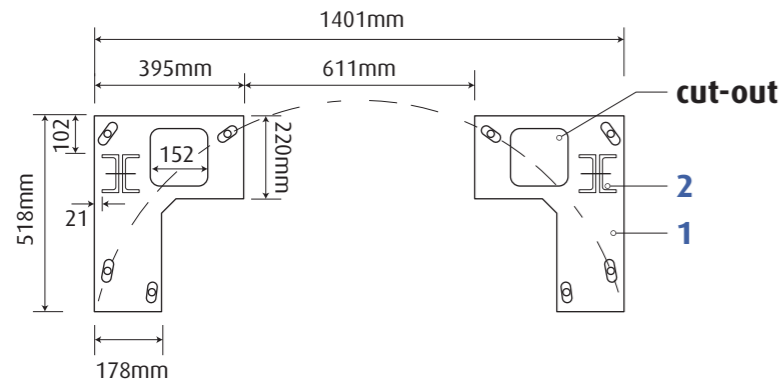
4 ITEM F | 1 Off Preview Menu Board - N.T.S
Structure from welded Aluminium

- #1 - DT LIGHTBOX, SPL w/o 2³/₄ WIDE FIN DETAIL SIZED TO MATCH MONITOR MOUNT HGT.
- #2 - WELDED ALUMINUM 'HALO' FRAME 3¹³/₁₆" WIDE
- #3 - WELDED ALUMINUM SPEAKER HOUSING & BRKT
- #4 - WELDED ALUMINUM MIC/CAMERA HOUSING
- #5 - SET OF ELECTRONIC COMPONENTS FOR SPEAKER/MIC/CAMERA, INSTALLED
- #6 - TWO SIDE MOUNT LOCKS, RETAIN EXISTING KEY #E3-26-819-15



Menu Board

5 ITEM E | 1 Off 2.9972m High Order Point Canopy - 1:20
1 Off 2.9972m High canopy.



KEY

- 1** - Two, 19mm Steel base plates w/ oval holes for swivel/positioning
16 - 6.35mm washers supplied
- 2** - Two, back to back C4x7.25 Steel Posts
- 3** - Welded aluminium header, C4x40mm channel
- 4** - Three, aluminium roof panels with seamless raised side edges and a 381mm of lasered decorative pattern
- 5** - Welded steel perimeter roof frame
- 6** - Welded steel 25.4mm O-C Wire grid back and side panels from welded rectangular steel tube frames
- 7** - White acrylic letters 113mmx127mm
Fixed to R/H grid panel complete with anti-tamper screws
- 8** - Welded aluminium base cover
- 9** - Welded aluminium water-tight electric enclosure (rear hatch)



NIS SIGNS (LEICESTER) LTD
65 OAKLAND ROAD, LEICESTER, LE2 6AN.
Tel: 0116 270 6228. Fax: 0116 270 3347
Email: info@signs-nis.co.uk
Web: www.signs-nis.co.uk

Client: Starbucks

Address: Simonside Service Station
Newcastle Road
South Shields
NE34 9QE

Drawing No: 15-287 - Starbucks - Simonside - Planning - Rev H

Rev No: Rev H

Job Location: universal/jobs/Starbucks/Whitchurch

Scale: As stated @ A3

Page: of 23

Drawn By: TN

Checked By:

Date: 04/01/2016

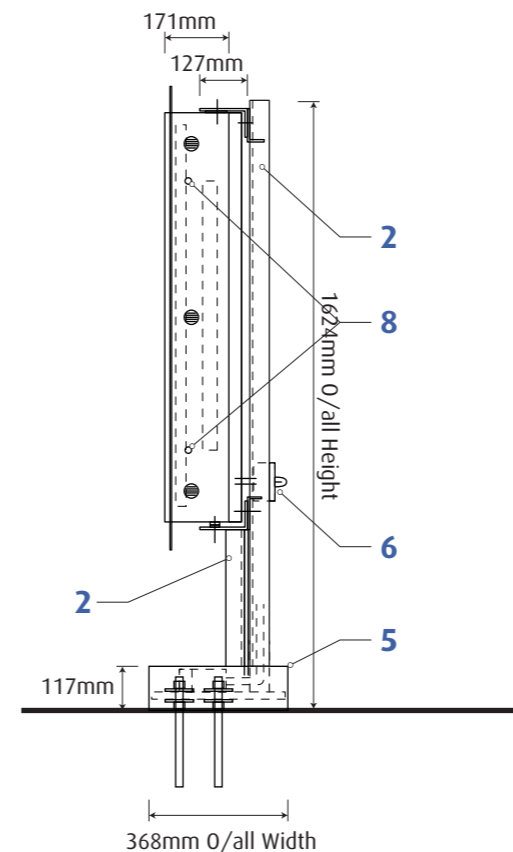
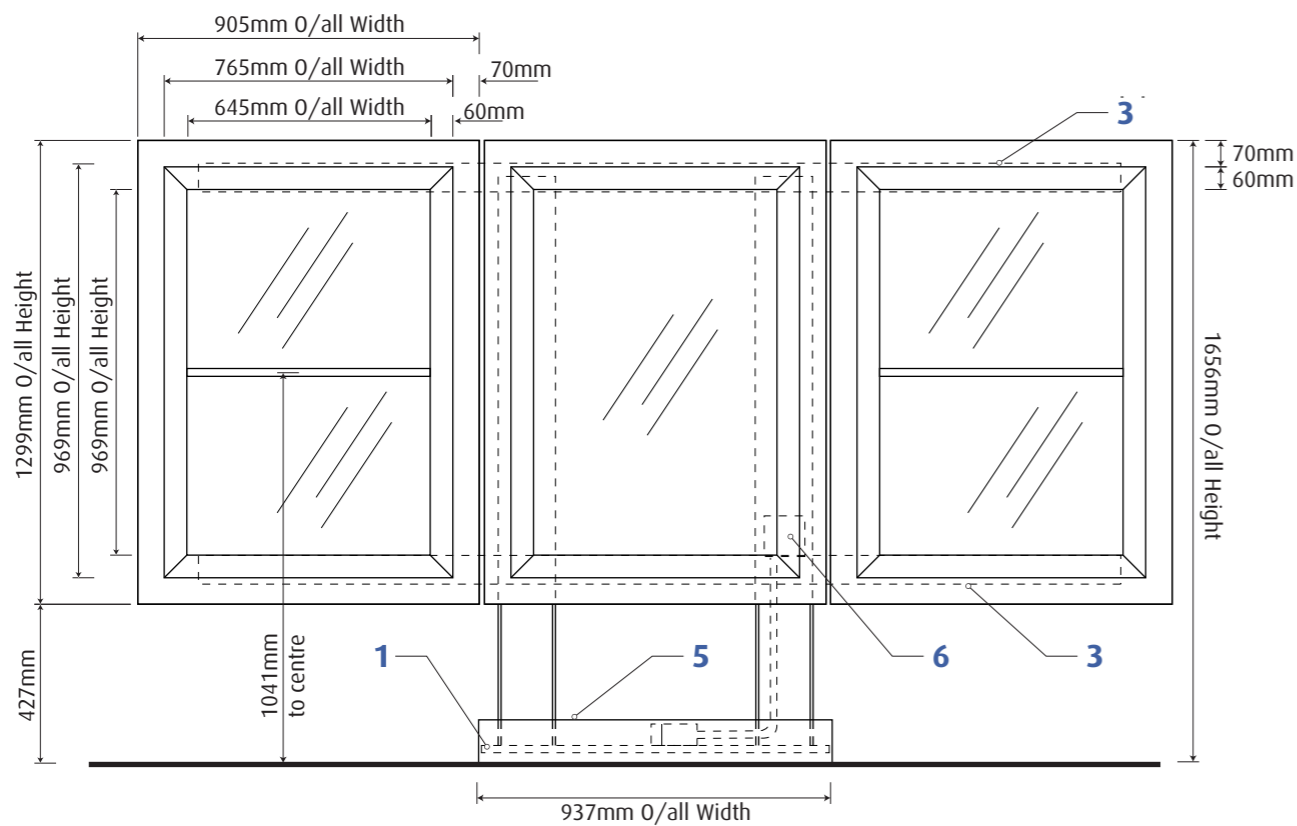
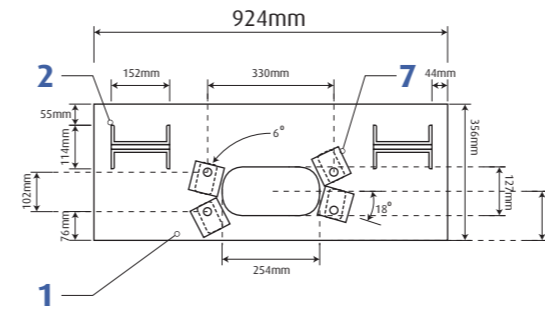
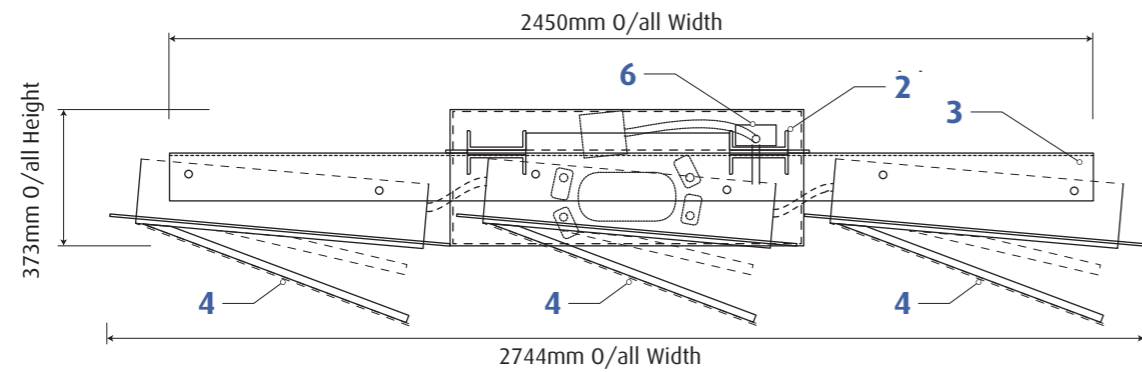
Revision Notes: 1) Initial issue1
2) Changes to Directionals
3) Change to drawings and replacement pages added - TN
4) Replacement & additional pages added - TN
4) Directional angle rotated and scale added to plan - TN

All site dimensions to be verified prior to manufacture.
Do not scale from this drawing
Copyright 2010. This document is the property of Nis Signs (Leicester) Ltd and must not be used, reproduced or disclosed to any persons without the written consent of Nis Signs (Leicester) Ltd.

6

ITEM H | 1 Off 5 Panel Menu Board - 1:20

1 Off 2744mm x 1624mm 5 door menu panel finished to match RAL 7021, Black Grey with a 10% sheen.



KEY

- 1 - 19mm Steel Base Plate with 18degree holes Pattern rotated for 15degree through 3degree position
- 2 - Two, C6x10.5 Steel Posts
- 3 - Two, 127mm x 76mm x 6.35mm Steel support angles (Bolted to welded 6.35mm Steel Crossbars)
- 4 - Three, Extruded aluminium menu boards. One full and two split panel lightboxes. One - 641mm x 965.2mm and four 635mm x 466.72mm Graphics. All graphic assemblies shifted 6.35mm to right standard LED tube lighting, side locks
- 5 - Welded aluminium base cover
- 6 - Water tight box with switch and sensor, rigid conduit run to second ext. box below base cover, 120 Watt, 0.90Aac
- 7 - Eight, Base Washers, 6.35mm thick
- 8 - Two side mount locks per Menuboard



NIS SIGNS (LEICESTER) LTD
 65 OAKLAND ROAD, LEICESTER, LE2 6AN.
 Tel: 0116 270 6228. Fax: 0116 270 3347
 Email: info@signs-nis.co.uk
 Web: www.signs-nis.co.uk

Client: Euro Garages
 Address: Simonside Service Station
 Newcastle Road
 South Shields
 NE34 9QE

Drawing No: 15-287 - Starbucks - Simonside - Planning - Rev D

Rev No: Rev D

Job Location: universal/jobs/Starbucks/Simonside Drive Thru

Scale: As stated @ A3

Page: 8 of 13

Drawn By: AH + TN

Checked By:

Date: 03/12/2015

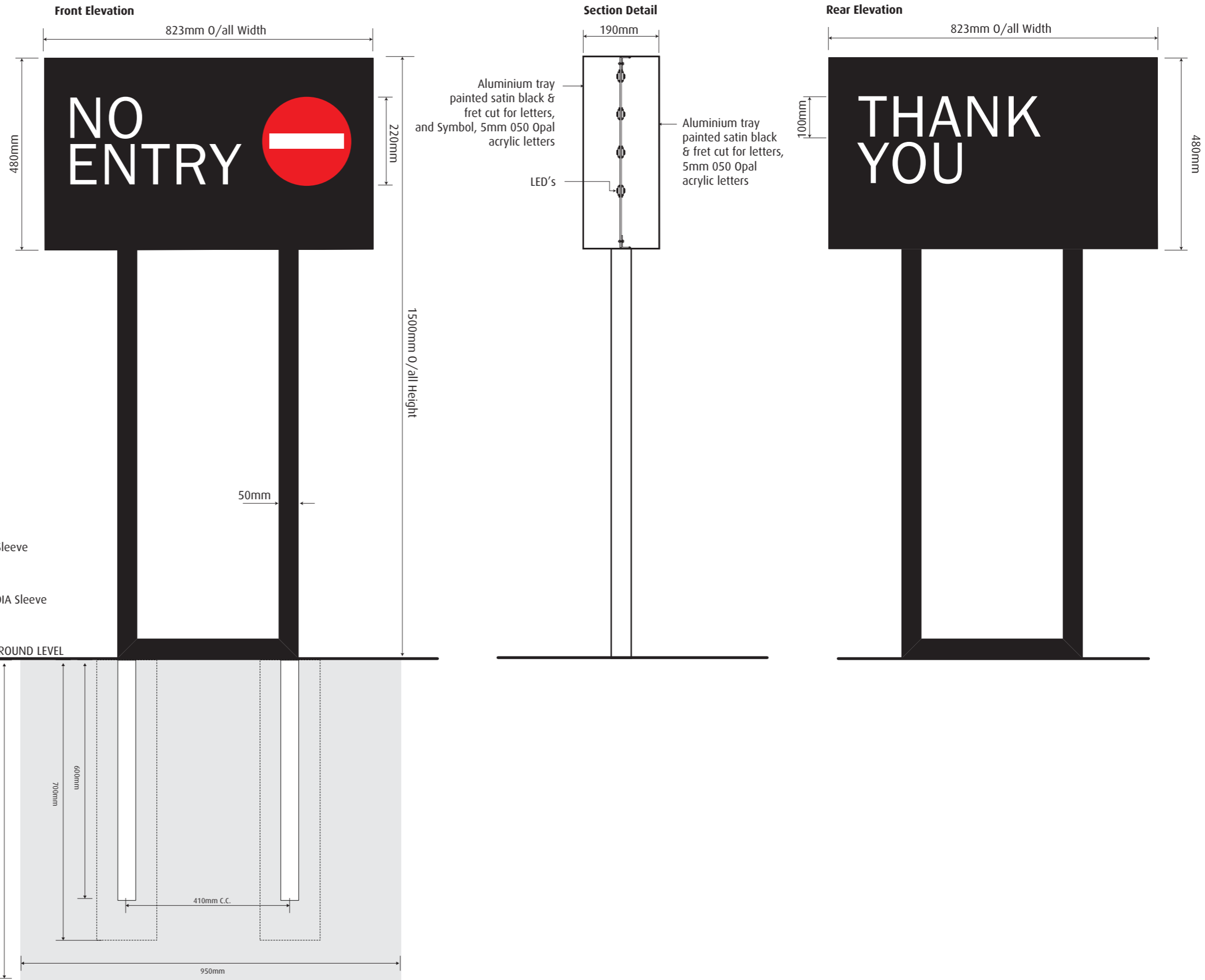
Revision Notes: 1) Initial issue
 2) Changes to Directionals
 3) Changes to drawings and replacement pages added - TN

All site dimensions to be verified prior to manufacture.
 Do not scale from this drawing
 Copyright 2010. This document is the property of Nis Signs (Leicester) Ltd and must not be used, reproduced or disclosed to any persons without the written consent of Nis Signs (Leicester) Ltd.

7

ITEM G | 1 Off No Entry/Thank You Directional Sign - 1:10

1 Off 1500mm High Double sided No Entry/Thank You directional sign internally illuminated via LED's.



NIS SIGNS (LEICESTER) LTD
65 OAKLAND ROAD, LEICESTER, LE2 6AN.
Tel: 0116 270 6228. Fax: 0116 270 3347
Email: info@signs-nis.co.uk
Web: www.signs-nis.co.uk

Client: Starbucks
Address: Simonside Service Station
Newcastle Road
South Shields
NE34 9QE

Drawing No: 15-287 - Starbucks - Simonside - Planning - Rev H

Rev No: Rev H

Job Location: universal/jobs/Starbucks/Whitchurch

Scale: As stated @ A3

Page: of 23

Drawn By: TN

Checked By:

Date: 04/01/2016

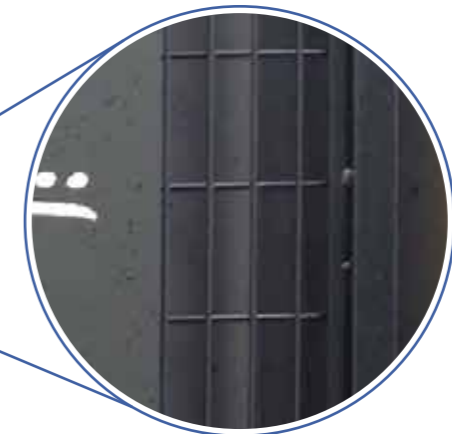
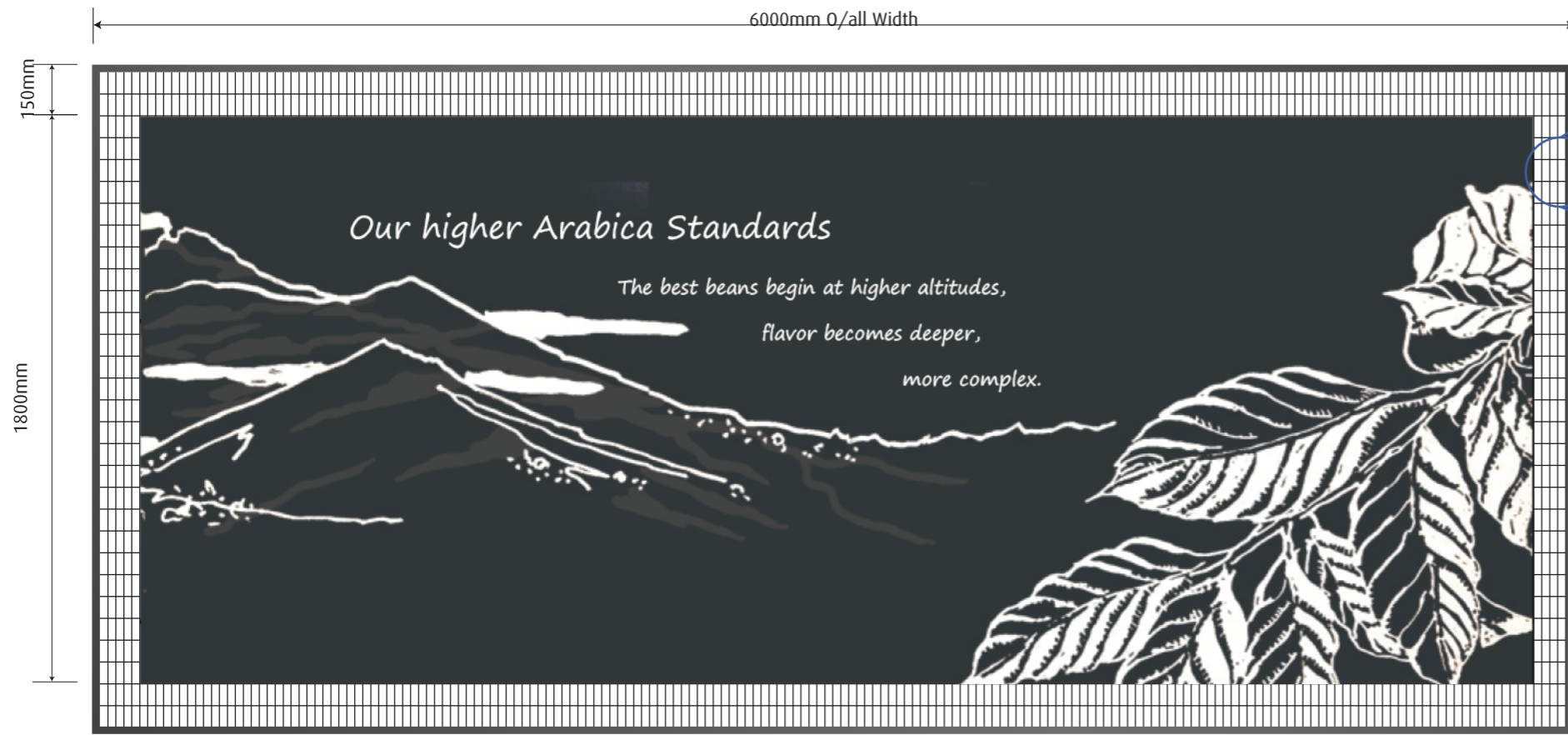
- Revision Notes:
- 1) Initial issue1
 - 2) Changes to Directionals
 - 3) Change to drawings and replacement pages added - TN
 - 4) Replacement & additional pages added - TN
 - 4) Directional angle rotated and scale added to plan - TN

All site dimensions to be verified prior to manufacture.
Do not scale from this drawing
Copyright 2010. This document is the property of Nis Signs (Leicester) Ltd and must not be used, reproduced or disclosed to any persons without the written consent of Nis Signs (Leicester) Ltd.

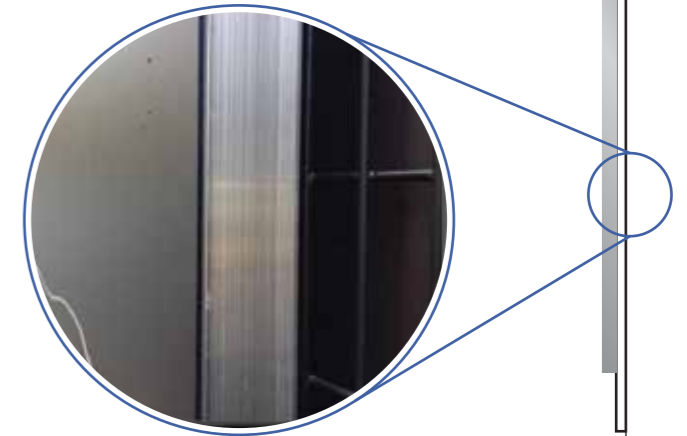
8

ITEM H | 1 Off Wall Graphic - 1:20

Aluminium panel with folded returns to match a brush silver Aluminium exposed finish.
External graphic print to match RAL 7016 (Anthracite grey) over-laminated and mounted to the face of the folded panel.

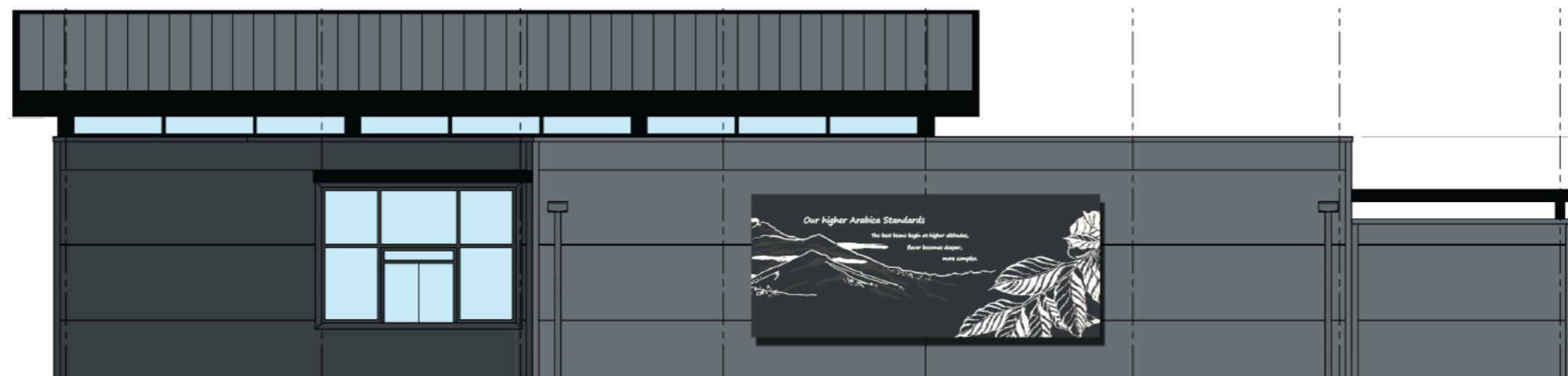


Mesh Detail



Return Detail

Side Elevation



Proposed location

- 9 ITEM I | 1 Off LED Wordmark Lettering - 1:20**
1 Off LED Wordmark 305mm high letters. Standard jewellitte type letter with LEDs mounted within.

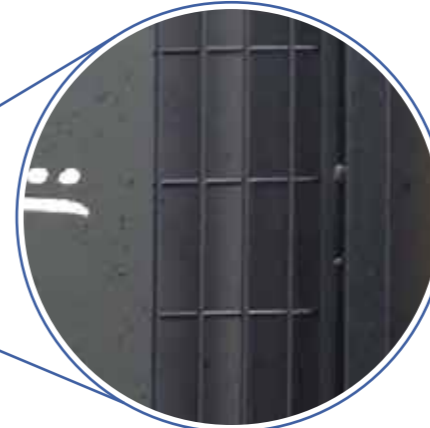


Proposed wordmark location

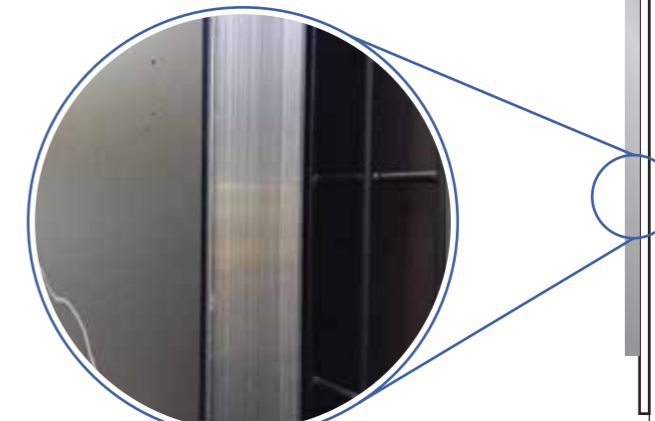
10

ITEM J | 1 Off Wall Graphic - 1:20

Aluminium panel with folded returns to match a brush silver Aluminium exposed finish.
External graphic print to match RAL 7016 (Anthracite grey) over-laminated and mounted to the face of the folded panel.

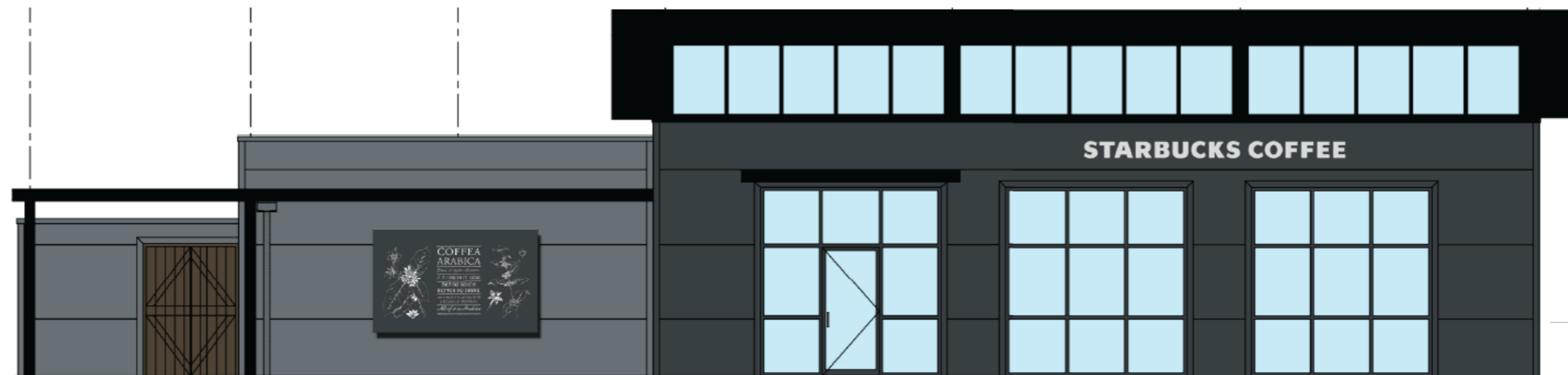


Mesh Detail



Return Detail

Side Elevation

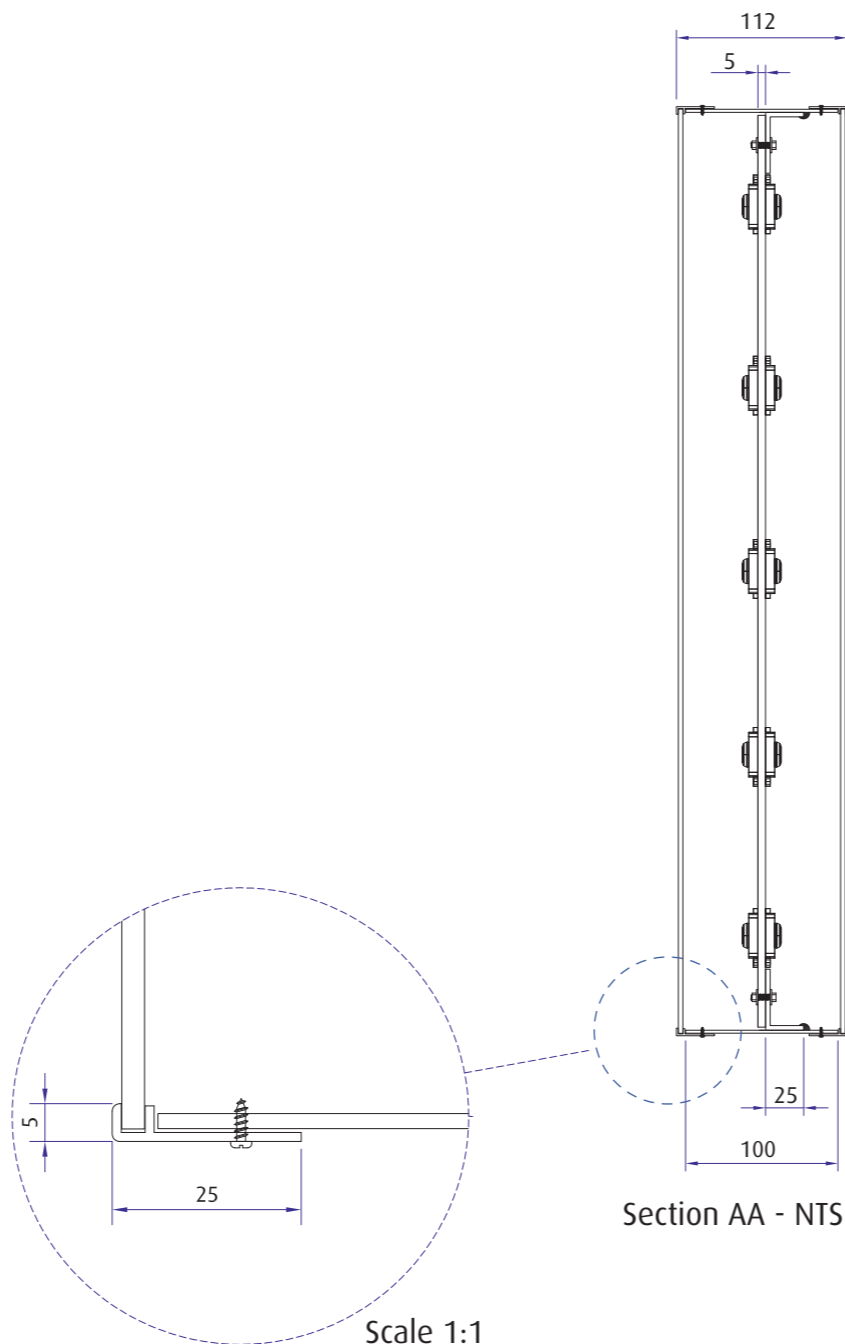


Proposed wall graphic location

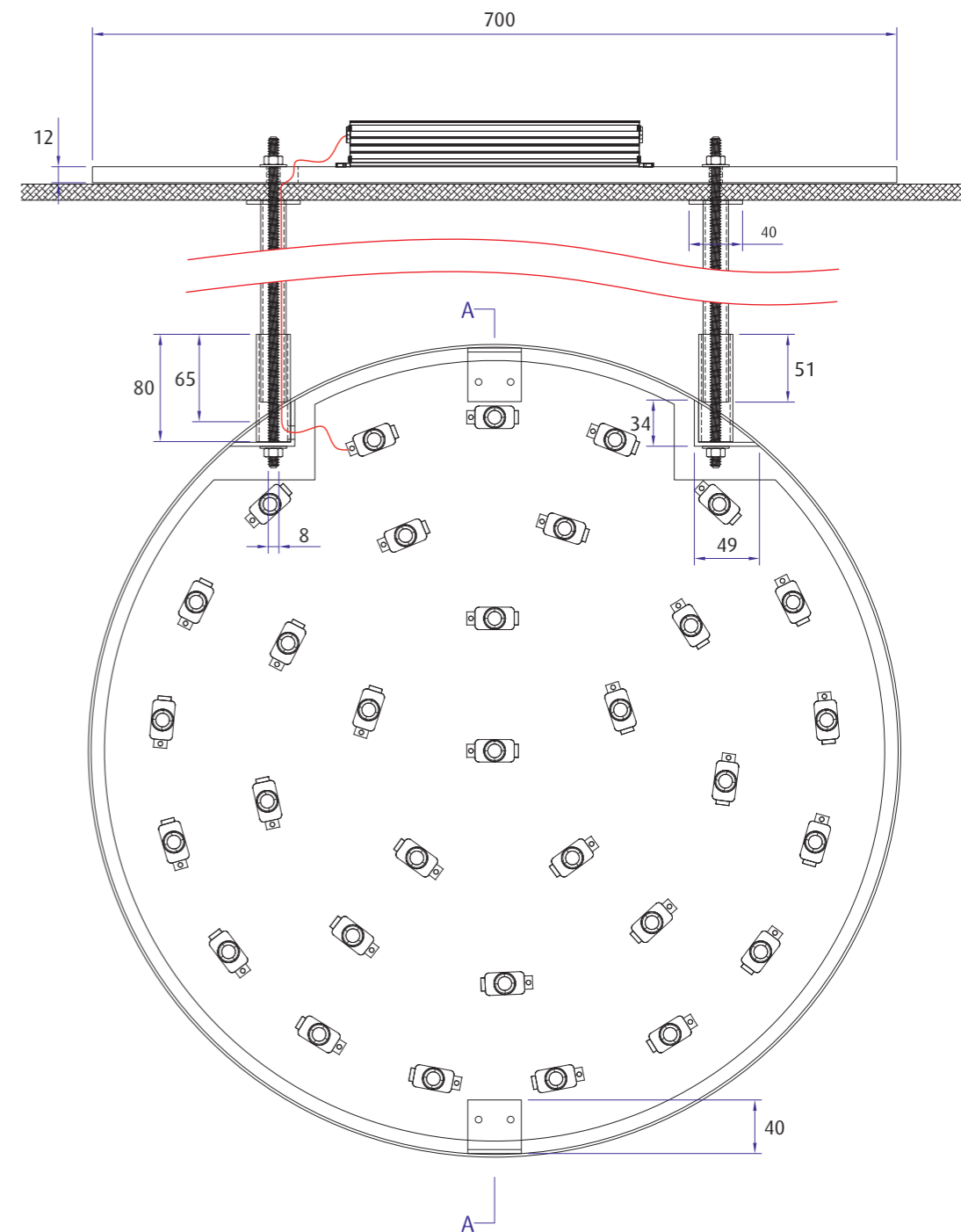
11 ITEM K | 1 Off 760mm Internal Roundal - 1:10
 760mm Diameter roundal internally illuminated with LED's housed within.



Front View - Scale 1:10



Section through (Face panel removed) - Scale N.T.S

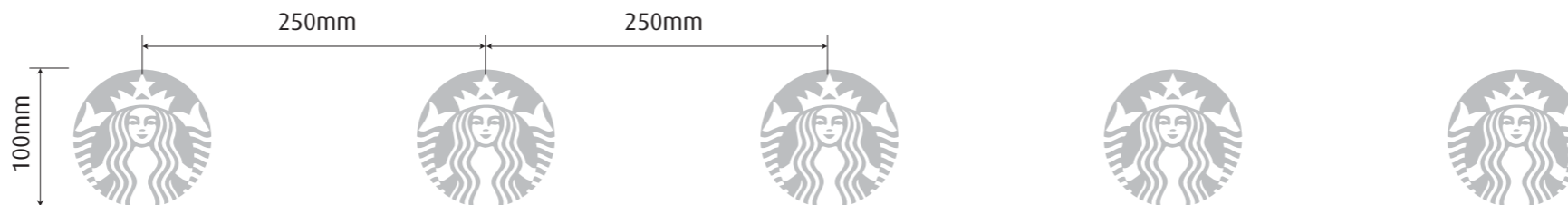


12

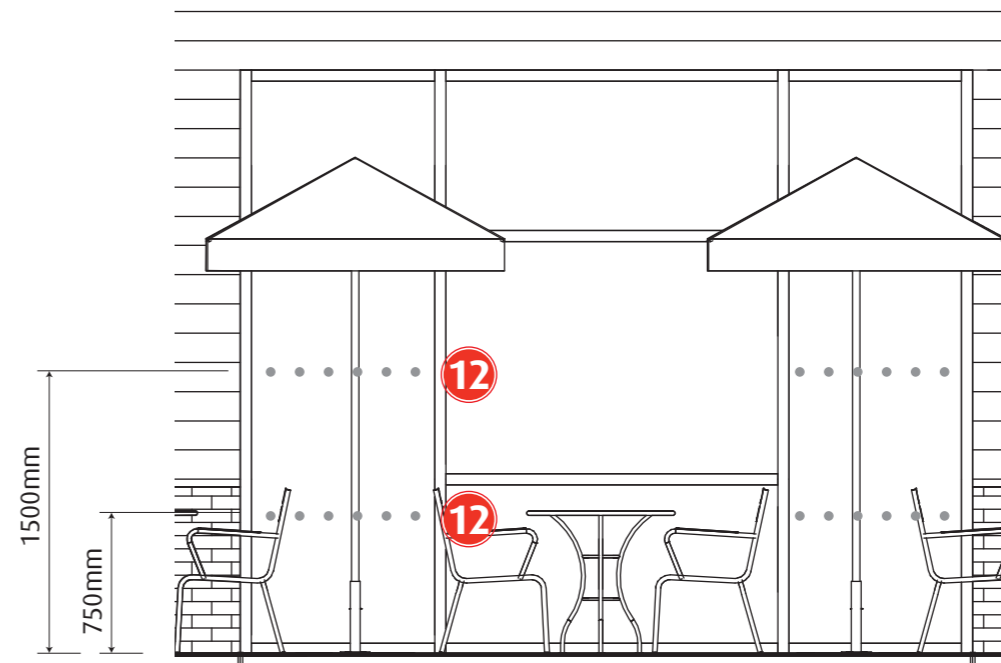
ITEM L | Set Door & Window 'Siren' Manifestations - 1:5

8m of 100mm Dia. 'Siren' Self applied frosted vinyls reverse applied to glass door window approx. 1000mm wide.

Installed at 1500mm & 750mm high from floor level.



Proposed Door 'Siren' location



Dot location on Side Elevation



NIS SIGNS (LEICESTER) LTD
 65 OAKLAND ROAD, LEICESTER, LE2 6AN.
 Tel: 0116 270 6228. Fax: 0116 270 3347
 Email: info@signs-nis.co.uk
 Web: www.signs-nis.co.uk

Client: Starbucks
 Address: Simonside Service Station
 Newcastle Road
 South Shields
 NE34 9QE

Drawing No: 15-287 - Starbucks - Simonside - Planning - Rev H

Rev No: Rev H

Job Location: universal/jobs/Starbucks/Whitchurch

Scale: As stated @ A3

Page: 12 of 23

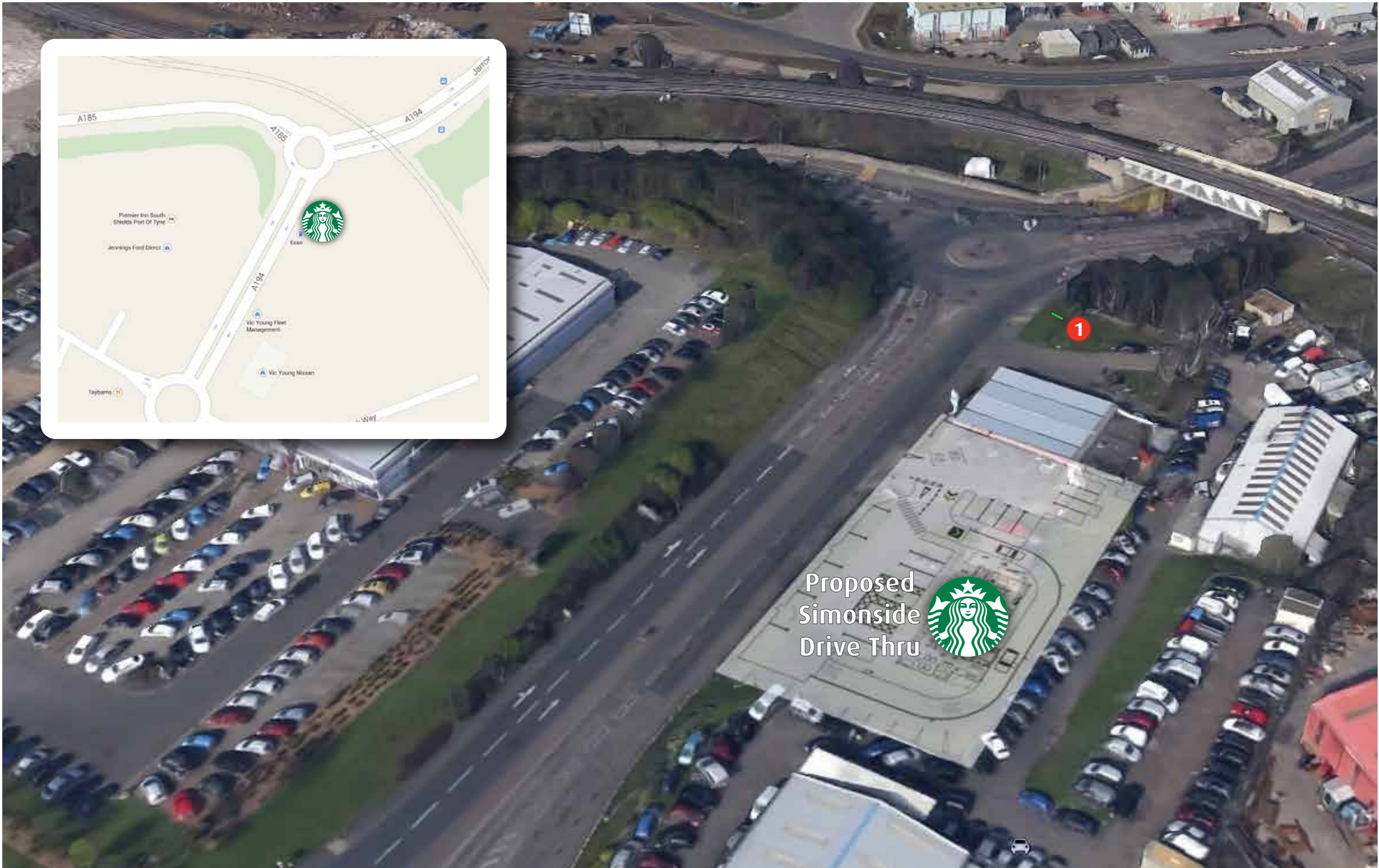
Drawn By: TN

Checked By:

Date: 04/01/2016

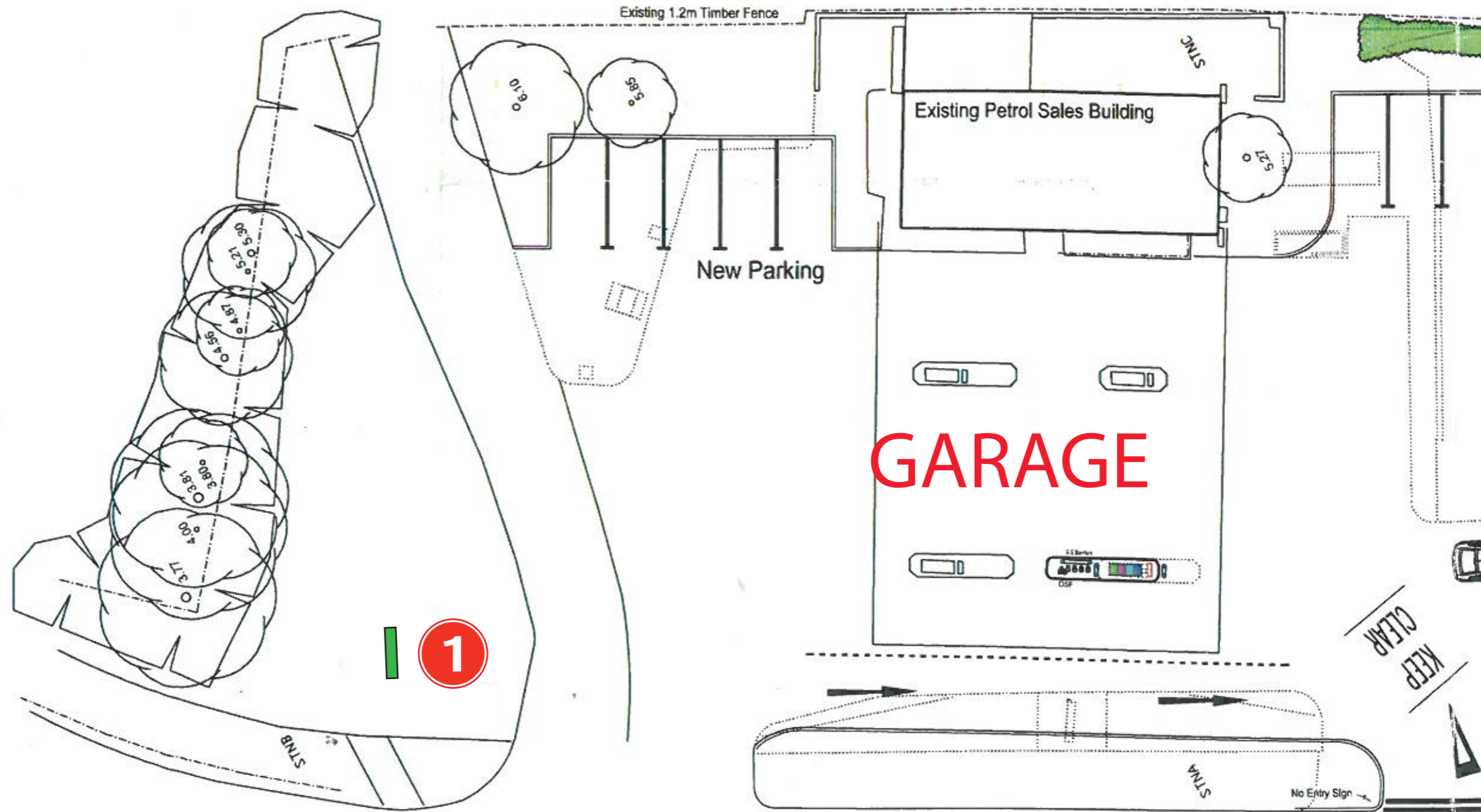
Revision Notes: 1) Initial issue1
 2) Changes to Directionals
 3) Change to drawings and replacement pages added - TN
 4) Replacement & additional pages added - TN
 4) Directional angle rotated and scale added to plan - TN

All site dimensions to be verified prior to manufacture.
 Do not scale from this drawing
 Copyright 2010. This document is the property of Nis Signs (Leicester) Ltd and must not be used, reproduced or disclosed to any persons without the written consent of Nis Signs (Leicester) Ltd.



Proposed
Simonside
Drive Thru





Scale | 1:200



NIS SIGNS (LEICESTER) LTD
 65 OAKLAND ROAD, LEICESTER, LE2 6AN.
 Tel: 0116 270 6228. Fax: 0116 270 3347
 Email: info@signs-nis.co.uk
 Web: www.signs-nis.co.uk

Client: Starbucks
 Address: Simonside Service Station
 Newcastle Road
 South Shields
 NE34 9QE

Drawing No: 15-287 - Starbucks - Simonside - Planning - Rev H

Rev No: Rev H

Job Location: universal/jobs/Starbucks/Whitchurch

Scale: As stated @ A3

Page: of 23

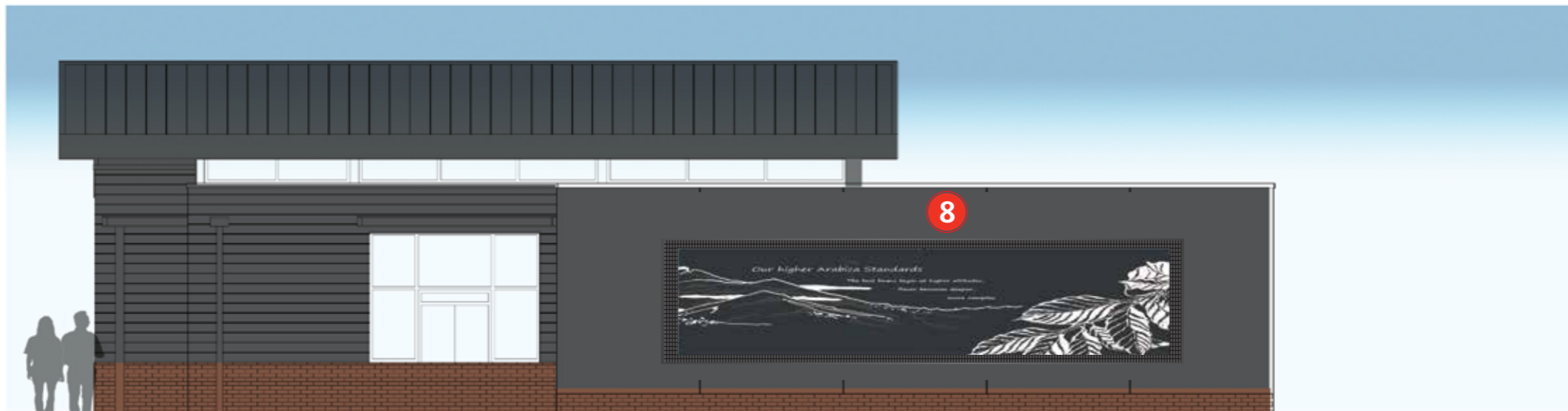
Drawn By: TN

Checked By:

Date: 04/01/2016

- Revision Notes:
- 1) Initial issue1
 - 2) Changes to Directionals
 - 3) Change to drawings and replacement pages added - TN
 - 4) Replacement & additional pages added - TN
 - 4) Directional angle rotated and scale added to plan - TN

All site dimensions to be verified prior to manufacture.
 Do not scale from this drawing
 Copyright 2010. This document is the property of Nis Signs (Leicester) Ltd and must not be used, reproduced or disclosed to any persons without the written consent of Nis Signs (Leicester) Ltd.



Rear Elevation



Front Elevation



Side Elevation



NIS SIGNS (LEICESTER) LTD
 65 OAKLAND ROAD, LEICESTER, LE2 6AN.
 Tel: 0116 270 6228. Fax: 0116 270 3347
 Email: info@signs-nis.co.uk
 Web: www.signs-nis.co.uk

Client: Starbucks
 Address: Simonside Service Station
 Newcastle Road
 South Shields
 NE34 9QE

Drawing No: 15-287 - Starbucks - Simonside - Planning - Rev H

Rev No: Rev H

Job Location: universal/jobs/Starbucks/Whitchurch

Scale: As stated @ A3

Page: of 23

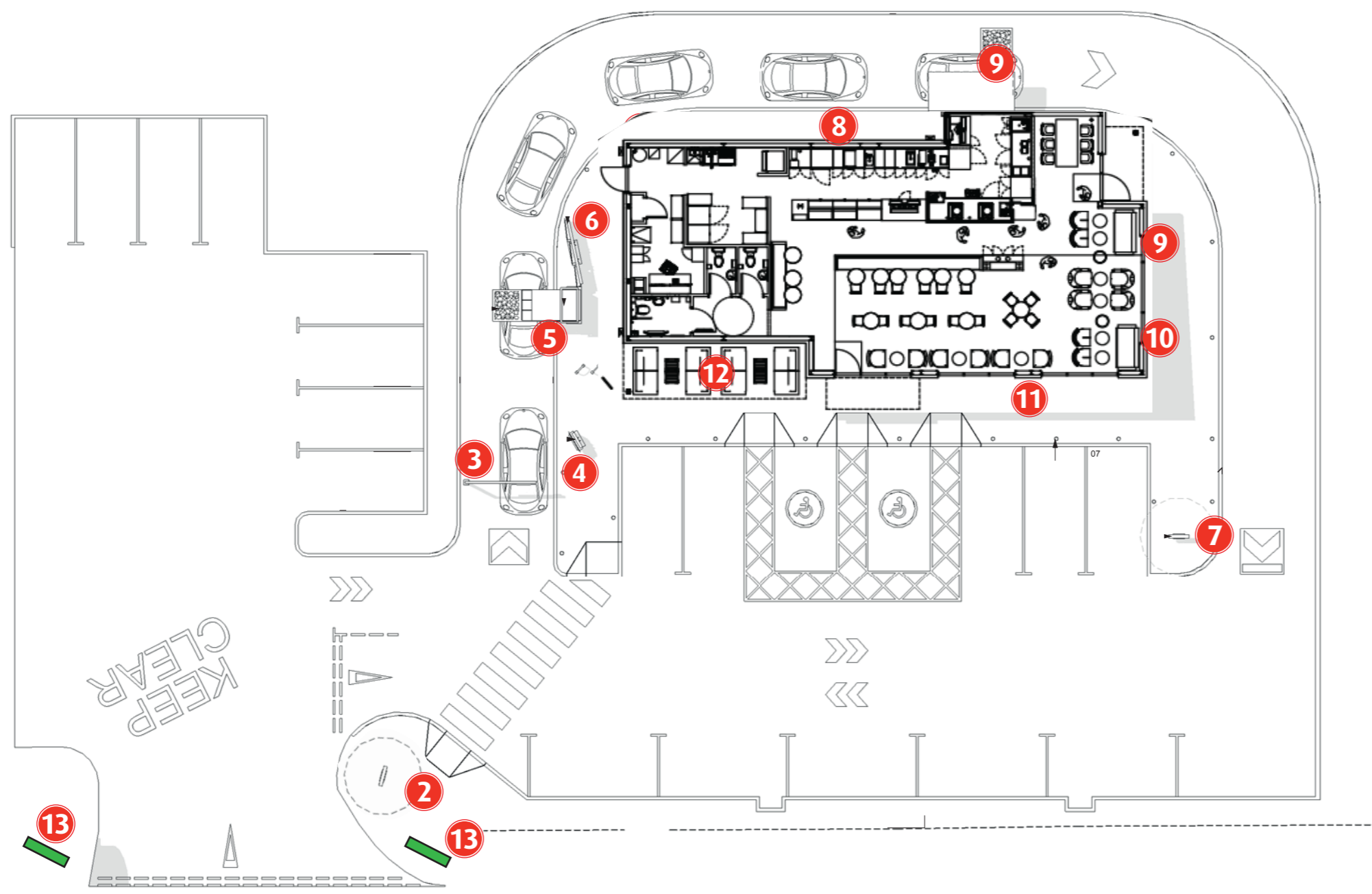
Drawn By: TN

Checked By:

Date: 04/01/2016







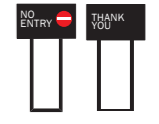






Revision Notes: 1) Initial issue1
 2) Changes to Directionals
 3) Change to drawings and replacement pages added - TN
 4) Replacement & additional pages added - TN
 4) Directional angle rotated and scale added to plan - TN

All site dimensions to be verified prior to manufacture.
 Do not scale from this drawing
 Copyright 2010. This document is the property of Nis Signs (Leicester) Ltd and must not be used, reproduced or disclosed to any persons without the written consent of Nis Signs (Leicester) Ltd.



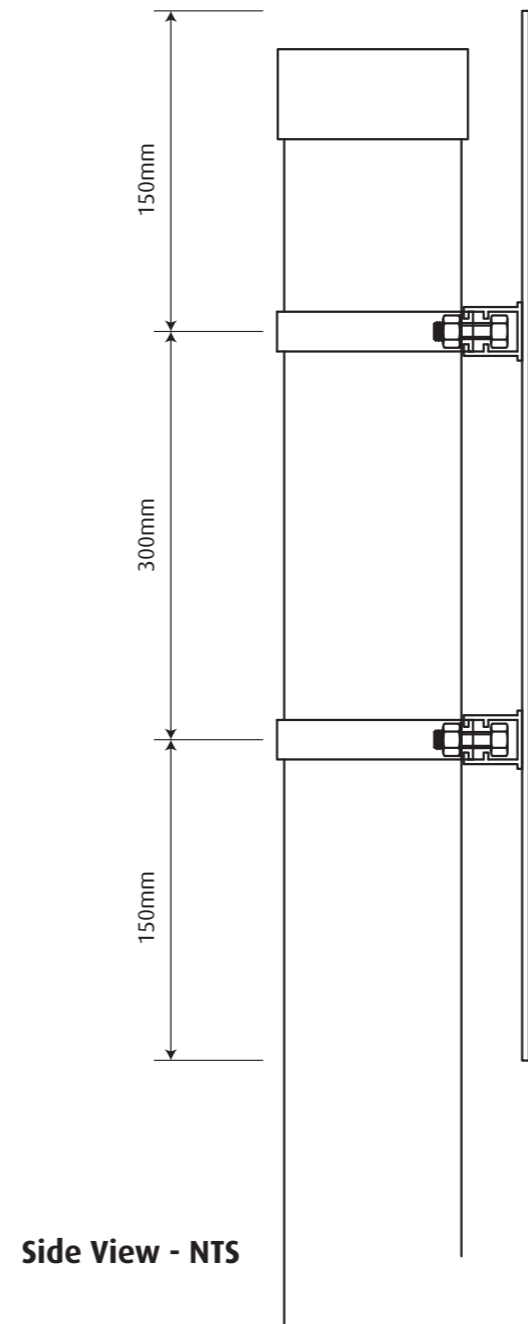
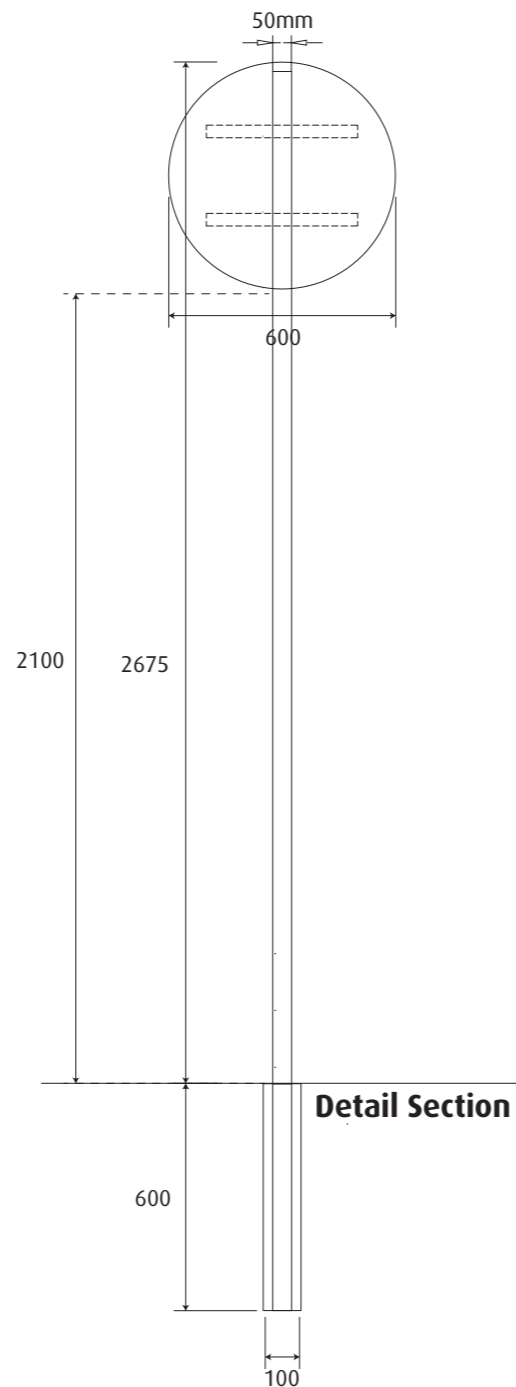
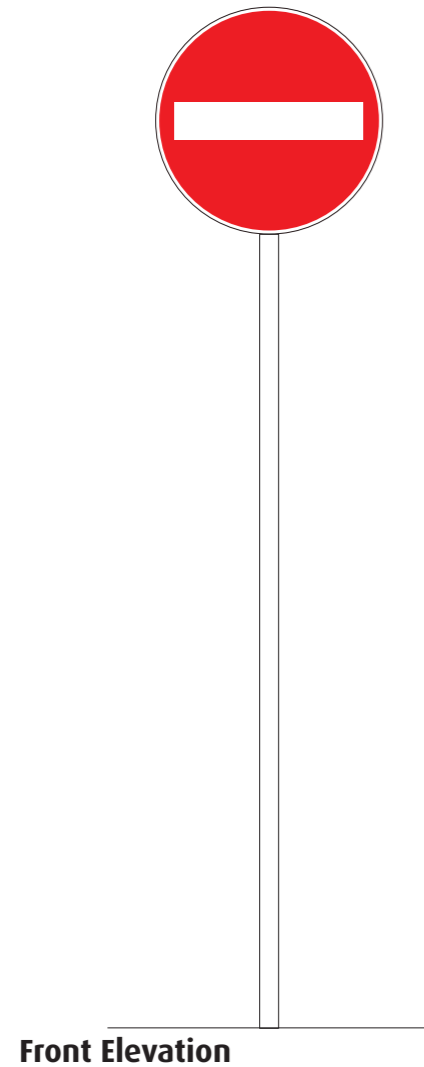
Scale | 1:200

Key

- 1 9m High Totem 
- 2 Directional 
- 3 Clearance Bar 
- 4 Preview Menu Board 
- 5 Order Point Canopy 
- 6 5 Panel Menu 
- 7 No Entry/ Thank You Directional 
- 8 Wall Graphic 
- 9 Manifestation Dots (ON INSIDE OF GLAZING) 
- 10 760mm Internal Roundal 
- 11 STARBUCKS COFFEE 305mm Illuminated WHITE Wordmark 
- 12 Wall Graphic 
- 13 No Entry Posts 

13 2 No Entry Sign | 1:20

2 Off 600mm Diameter No Entry sign consisting of 3mm Aluminium primed and powder coated Silver RAL 906 with digitally printed vinyl and a protective laminate applied to the face.
Sign affixed to a new 50mm diameter steel post.
bolt a cover plate over hole.



NIS SIGNS (LEICESTER) LTD
65 OAKLAND ROAD, LEICESTER, LE2 6AN.
Tel: 0116 270 6228. Fax: 0116 270 3347
Email: info@signs-nis.co.uk
Web: www.signs-nis.co.uk

Client: Starbucks

Address: Simonside Service Station
Newcastle Road
South Shields
NE34 9QE

Drawing No: 15-287 - Starbucks - Simonside - Planning - Rev H

Job Location: universal/jobs/Starbucks/Whitchurch

Page: of 23

Drawn By: TN

Checked By:

Rev No: Rev H

Scale: As stated @ A3

Date: 04/01/2016

Revision Notes: 1) Initial issue1
2) Changes to Directionals
3) Change to drawings and replacement pages added - TN
4) Replacement & additional pages added - TN
4) Directional angle rotated and scale added to plan - TN

All site dimensions to be verified prior to manufacture.
Do not scale from this drawing
Copyright 2010. This document is the property of Nis Signs (Leicester) Ltd and must not be used, reproduced or disclosed to any persons without the written consent of Nis Signs (Leicester) Ltd.